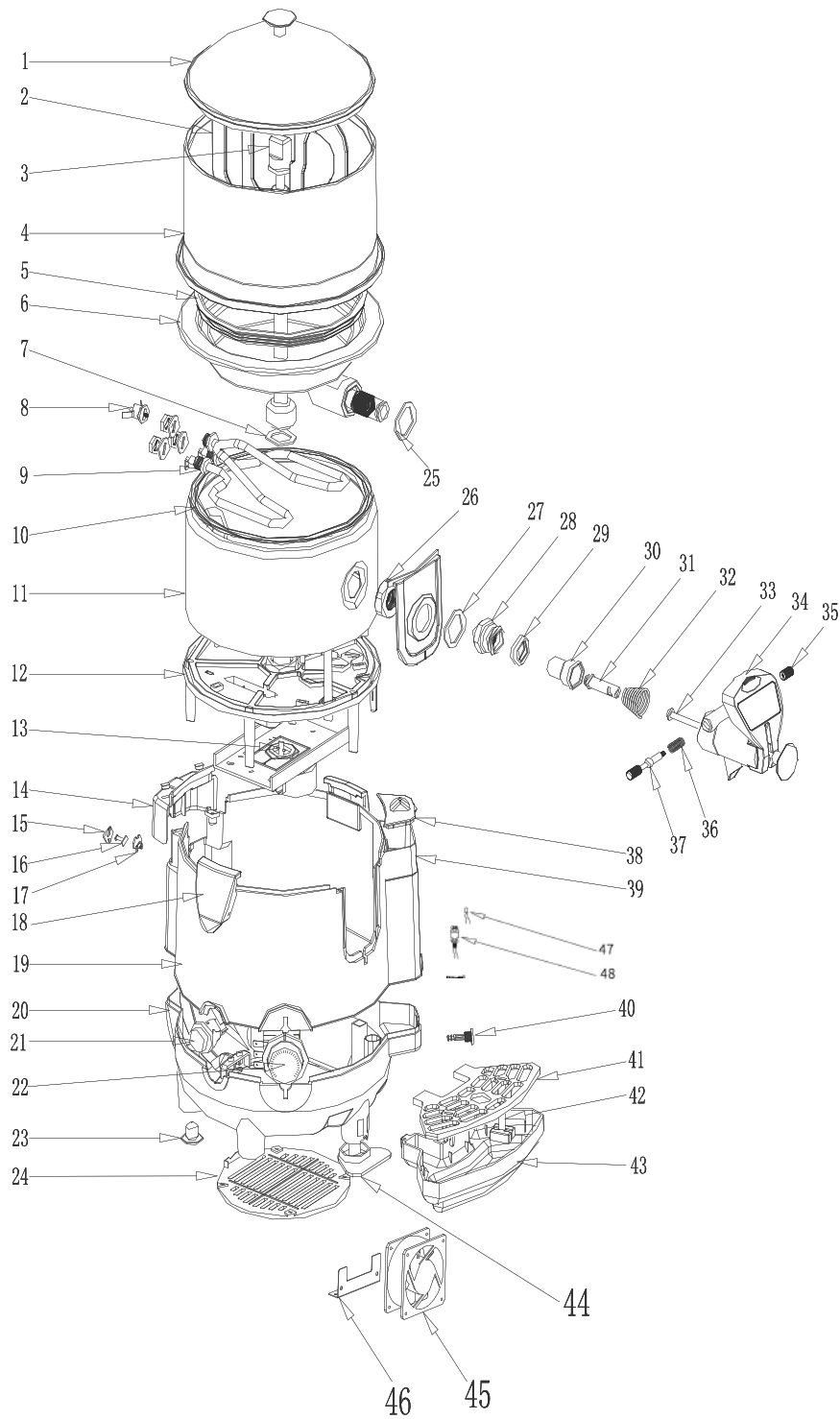


Parts Breakdown

Model DI-CN-0005 39482



Parts Breakdown

Model DI-CN-0005 39482

Item No.	Description	Position	Item No.	Description	Position	Item No.	Description	Position
AK754	Tank Cover for 39482	1-A	AK781	Button of Overheat Protector for 39482	16	AK798	Cleaner Shaft for 39482	33
AP808	Knob of Tank Lid for 39482	1-B	AK782	Button Stop of Protector for 39482	17	AK799	Tap Handle for 39482	34
AK766	Paddle for 39482	2	AK783	Tank Hinge for 39482	18	AK800	Screw of Faucet for 39482	35
AL383	Lid of Stirring Rod for 39482	3-A	AK784	Upper Exterior for 39482	19	AK801	Pin Spring for 39482	36
AK768	Stirring Rod for 39482	3-B	AK785	Lower Exterior for 39482	20	AK802	Pin for 39482	37
AK769	PC Tank for 39482	4	AK786	Power Switch for 39482	21	AK803	Lid of Water Bin for 39482	38
AK770	Gasket of PC Tank for 39482	5	AK787	Thermostat for 39482	22	AK804	Water Bin for 39482	39
AP809	Stainless Steel Boiler (Upper Part) for 39482	6	AK788	Foot for 39482	23	AK805	Drainage Plug for 39482	40
AK772	Gasket for 39482	7	AK789	Ventilation Grill for 39482	24	AK806	Lid of Water Tray for 39482	41
AK773	Overheat Protector for 39482	8	AK790	Washer of Faucet (Interior) for 39482	25	AK807	Floater for 39482	42
AK774	Heater Element for 39482	9	AK791	Nut of Faucet (Interior) for 39482	26	AK808	Water Tray for 39482	43
AK775	Boiler Gasket for 39482	10	AK792	Gasket of Faucet for 39482	27	AK809	Forefoot for 39482	44
AK776	Electrical Stainless Steel Boiler (Lower Part) for 39482	11	AK793	Nut of Faucet (Exterior) for 39482	28	AK810	Fan for 39482	45
AK777	Supporter for 39482	12	AK794	Gasket of Faucet Screw for 39482	29	AK811	Supporter of Fan for 39482	46
AK778	Motor for 39482	13	AK795	Gasket Inside the Faucet for 39482	30	AP810	Alarm Controller & Indicator Light for 39482	47
AK779	Back Cover for 39482	14	AK796	Moving Pin for 39482	31	AP811	Float Switch for 39482	48
AK780	Cover of Overheat Protector for 39482	15	AK797	Faucet Spring for 39482	32			